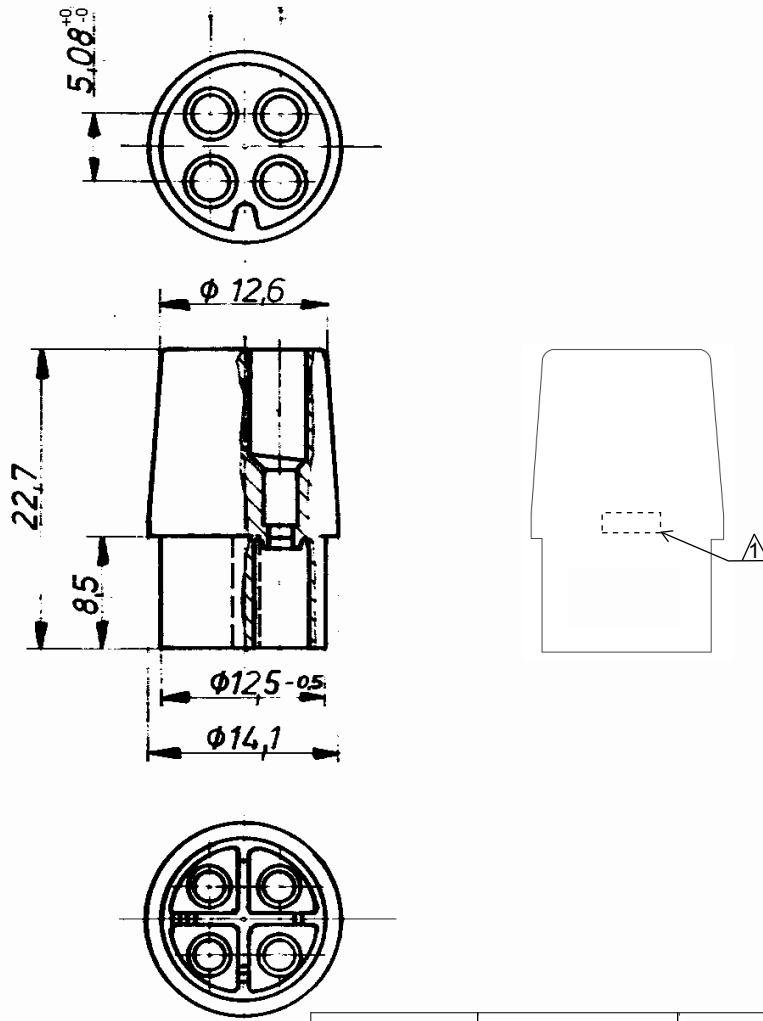


LOC	DIST	REVISIONS				
P	LTR	DESCRIPTION	DATE	DWN	APVD	
AL	2	C5	REVISED PER ECR-15-014424	18NOV2015	NK	EW



1 FROST TE LOGO ON THIS SURFACE
PER P/N: 1621426-4

925076-7	PA66 GWT 750°C-V0	NATURAL
925076-6	PA6 GWT750°C-V2	NATURAL
925076-4	PA66	RED
925076-3	PA66	BLACK
OBSOLETE 925076-2	PA66 UL94	WHITE
OBSOLETE 925076-1	PA66 UL94	NATURAL
925076	PA66 UL94 V-2	NATURAL
PN	MATERIAL	COLOUR

THIS DRAWING IS UNPUBLISHED.
 RELEASED FOR PUBLICATION 20
 © COPYRIGHT 20 BY TYCO ELECTRONICS CORPORATION. ALL RIGHTS RESERVED.

DIMENSIONS: mm TOLERANCES UNLESS OTHERWISE SPECIFIED: 0 PLC ± 1 PLC ±0,4 2 PLC ±0,4 3 PLC ± 4 PLC ± ANGLES ±1°30'	DWN J. SALO 10AUG2009	MATERIAL SEE TABLE	FINISH -
	CHK R. SOLE 10AUG2009		
APVD G. TURCO 10AUG2009	NAME 4 WAY CIRCULAR MATE-N-LOK SOCKET HOUSING		
PRODUCT SPEC -	SIZE A4	CAGE CODE 00779	DRAWING NO C-925076
APPLICATION SPEC -	RESTRICTED TO -		SCALE 2:1
WEIGHT -	CUSTOMER DRAWING		SHEET 1 OF 1
			REV C5

